

| (1)    | (2)     | (3)         | (4)  | (5)  | (6)             | (7)             | (8)    | (9)    | (10)         |
|--------|---------|-------------|------|------|-----------------|-----------------|--------|--------|--------------|
| SMR    | Federal | DESCRIPTION | UNIT | Qty  | 30-day DS maint | 30-day GS maint | 1-yr   | Depot  | Illustration |
| Code   | Stock   |             | of   | inc. | allowance       | allowance       | alw    | maint  |              |
| Number |         |             | meas | in   |                 |                 | per    | alw    |              |
|        |         |             | Unit |      |                 |                 | 100    | per    | (a)          |
|        |         |             |      |      |                 |                 | equip  | 100    | Figure       |
|        |         |             |      |      |                 |                 | cnt-   | equip  | No.          |
|        |         |             |      |      | (a)             | (b)             | (c)    | (a)    | (b)          |
|        |         |             |      |      | 1-20            | 21-50           | 51-100 | 1-20   | 21-50        |
|        |         |             |      |      |                 |                 |        | 51-100 | gcy          |

Reference Number & Mfr. Code

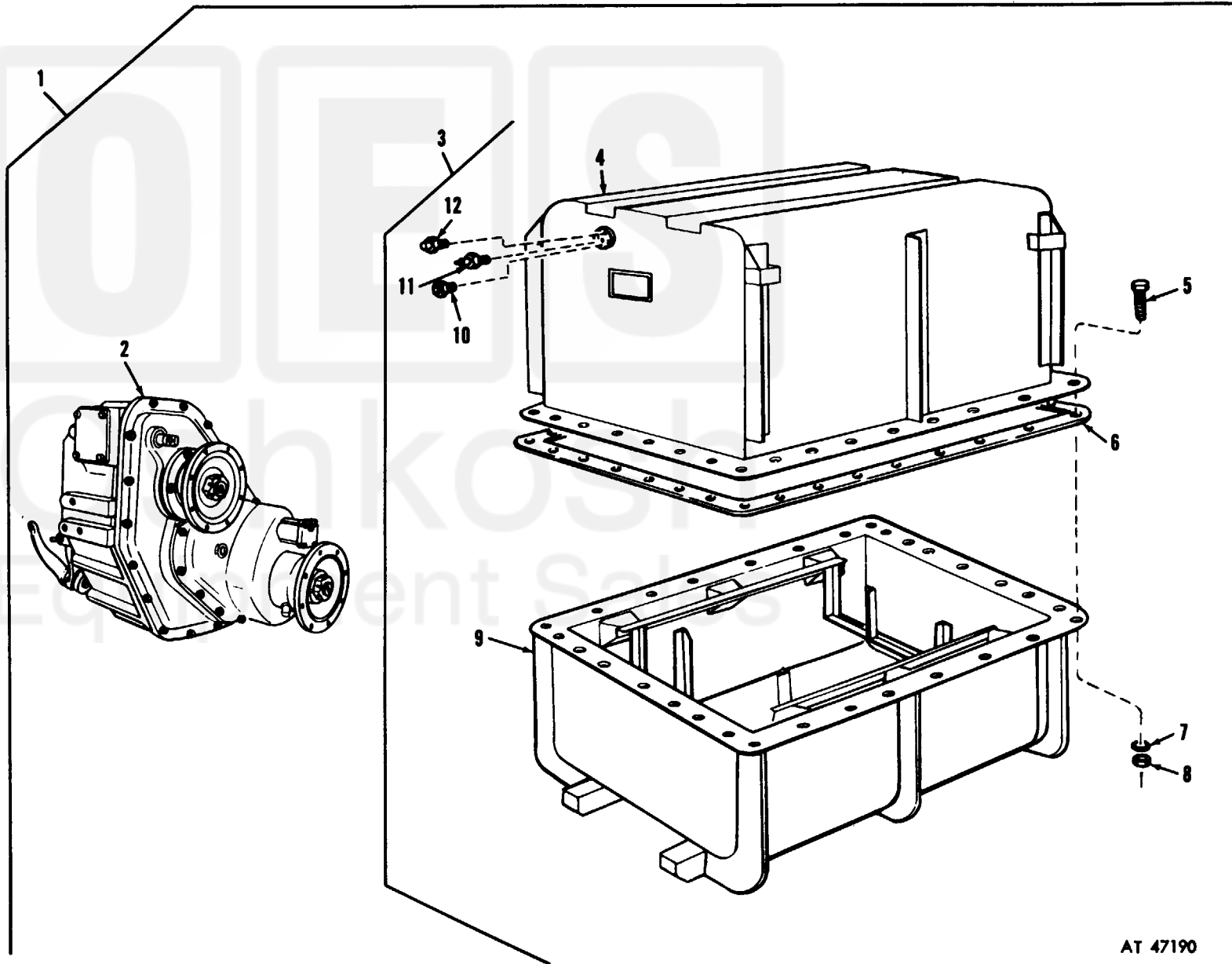
Usable On Code

GROUP 08-TRANSFER AND FINAL  
DRIVE ASSEMBLIES

0801-POWER TRANSFER AND FINAL  
DRIVE ASSEMBLIES

NOTE.  
SEE GROUP 3301 FOR LISTING OF TRANSFER CONTAINER PARTS

|       |              |   |   |    |   |   |   |   |   |   |   |    |    |    |    |
|-------|--------------|---|---|----|---|---|---|---|---|---|---|----|----|----|----|
| P-F-S | 2520-089-377 | TRANSFER ASSEMBLY WITH CONTAINER:<br>SHIPPING AND STORAGE<br>5702826 (19207)                            | A   | EA | 1 | * | * | * | * | * | * | 10 | 20 | 50 | 1  |
| P-F-S | 2520-086-337 | TRANSFER ASSEMBLY WITH FLANGES:<br>7748580 (19207)  | A   | EA | 1 | * | * | * | * | * | * |    |    | 50 | 2  |
| P-F   | 2520-040-225 | SUPPORT: TRANSFER ASSEMBLY<br>7376177 (19207)   | A   | EA | 1 | * | * | * | * | * | * | 4  | 10 | 51 | 1  |
| P-F   | 5305-940-951 | SCREW,CAP,HEXAGON: SUPPORT<br>MS51106-421 (96906)   | A   | EA | 3 | * | * | * | * | * | * | 6  | 10 | 51 | 2  |
| P-F   | 5310-531-912 | WASHER,FLAT: SUPPORT<br>7418962 (19207)   | A   | EA | 3 | * | * | * | * | * | * | 6  | 10 | 51 | 3  |
| P-F   | 5340-741-106 | MOUNT,RESILIENT: SUPPORT<br>7411068 (19207)   | A   | EA | 6 | * | * | * | * | * | * | 4  | 10 | 51 | 4  |
| P-F   | 2520-737-624 | SUPPORT,TRANSFER CASE:<br>7376240 (19207)   | B,BF,CA,CB<br>DA,DB,FA,FB,<br>HA,BE,IA,BD | EA | 3 | * | * | * | * | * | * | 4  | 10 | 51 | 5  |
| P-F   | 5310-275-204 | NUT,SELF-LOCKING,HEXAGON:<br>TRANSFER SUPPORT<br>MS20365-8200 (96906)                                   | A   | EA | 6 | * | * | * | * | * | * | 6  | 10 | 51 | 6  |
| P-F   | 5320-018-951 | RIVET,SOLID: TRANSFER SUPPORT<br>189510 (21450)   | A   | EA | 9 | * | * | * | * | * | * | 6  | 10 | 51 | 7  |
| P-F   | 5305-044-550 | SCREW,CAP,HEXAGON: SUPPORT<br>MS90725-160 (96906)   | A   | EA | 7 | * | * | * | * | * | * |    |    | 51 | 8  |
| P-F   | 5310-012-157 | WASHER,LOCK: SUPPORT<br>MS35338-31 (96906)  | A   | EA | 7 | * | * | * | * | * | * | 6  | 10 | 51 | 9  |
| P-F   | 2520-040-225 | SUPPORT:<br>7376178 (19207)   | A   | EA | 1 | * | * | * | * | * | * | 4  | 10 | 51 | 10 |
| X1    |              | GASKET: INPUT SHAFT REAR BEARING COVER<br>(COMPONENT OF GASKET SET FSN 2520-734-6775<br>7375291 (78500) | A   |    | 1 |   |   |   |   |   |   |    |    | 52 | 1  |
| P-F   | 5310-584-527 | WASHER,LOCK: REAR BEARING<br>MS35338-48 (96906)   | A   | EA | 4 | * | * | * | * | * | * | 6  | 10 | 52 | 2  |



AT 47190

Figure 50. Transfer and container assembly.